

**Model : ALP-I030**

## **Power-over-Ethernet Injector**



### **Features**

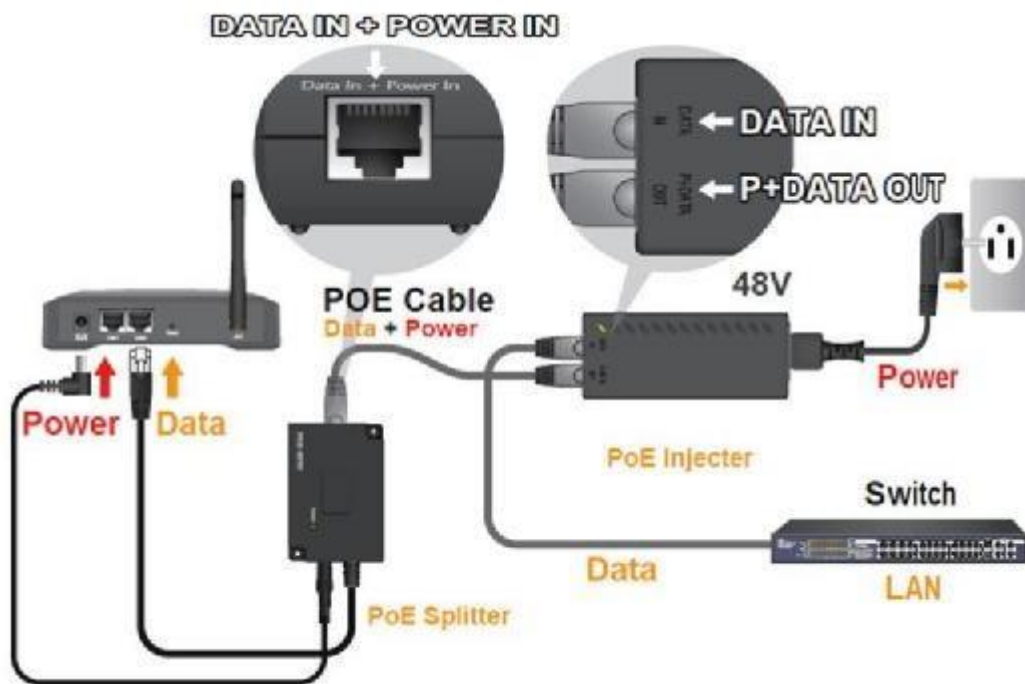
- Full IEEE 802.3af, IEEE 802.3at Compliant
- Up to 30W of Power on 2-pairs
- Auto-detect of PoE IEEE 802.3af equipment
- Supports 10/100/1000 Base-T applications
- LED indicators power input indication
- Distance up to 100 meters
- Internal AC/DC converter – no need for external power brick
- Easy plug-and-play installation
- Surge protection
- EMI standards complies with FCC, CE class B

### **Introduction**

The ALP-I030 is a single port Mid-spans offer a compact and cost effective, fully IEEE 802.3at compliant solution for remote powering of wireless LAN (WAN) access points, IP Security cameras, VoIP telephone and other low port density installations. The ALP-I030 PoE Mid-spans eliminate the need for external power supply and its associated AC/DC power cabling, providing a compact, affordable, safe and reliable power solution over existing Ethernet infrastructure.

<b>Specifications</b>	
No. of Ports	<ul style="list-style-type: none"><li>• 1</li></ul>
Pass Through Data Rates	<ul style="list-style-type: none"><li>• 10/100/1000 Mbps</li></ul>
Power over Ethernet Output	<ul style="list-style-type: none"><li>• Pin Assignment and Polarity: 3/6 (V+), 1/2 (V-)<ul style="list-style-type: none"><li>• Output Power Voltage: DC 52 V</li><li>• User Port Power: 30 W</li></ul></li></ul>
Input Power Requirements	<ul style="list-style-type: none"><li>• AC 100 ~ 240 V, 50/60Hz, 0.3A</li></ul>
Dimensions (L x W x H)	<ul style="list-style-type: none"><li>• 150 x 65 x 38mm</li></ul>
Weight	<ul style="list-style-type: none"><li>• 0.5 kg</li></ul>
Indicators	<ul style="list-style-type: none"><li>• System Indicator: AC Power</li><li>• User Indicator: Channel Power</li></ul>
Connectors	<ul style="list-style-type: none"><li>• Shielded RJ-45, EIA 568A and 568B</li></ul>
Reliability	<ul style="list-style-type: none"><li>• MTBF: 100,000 hrs. @ 25 °C</li></ul>
Regulatory Compliance	<ul style="list-style-type: none"><li>• IEEE 802.3af (PoE), IEEE 802.3at (PoE+) RoHS Compliant, CE, FCC</li></ul>
Electromagnetic Emission & Immunity	<ul style="list-style-type: none"><li>• FCC Part15, Class B</li></ul>
<b>Environmental Conditions</b>	
Operating Ambient Temperature	<ul style="list-style-type: none"><li>• -10 ~ 45 °C</li></ul>
Operating Humidity	<ul style="list-style-type: none"><li>• Maximum 80%, Non-condensing</li></ul>
Storage Temperature	<ul style="list-style-type: none"><li>• -10 ~ 70 °C</li></ul>
Storage Humidity	<ul style="list-style-type: none"><li>• Maximum 85%, Non-condensing</li></ul>

## Application Diagram



## Ordering Information

- ALP-I030, PoE Injector

For Sales Enquiries:  
[sales.sg@alstron.com.sg](mailto:sales.sg@alstron.com.sg)