

Model : ALP-I015

Power-over-Ethernet Injector



Features

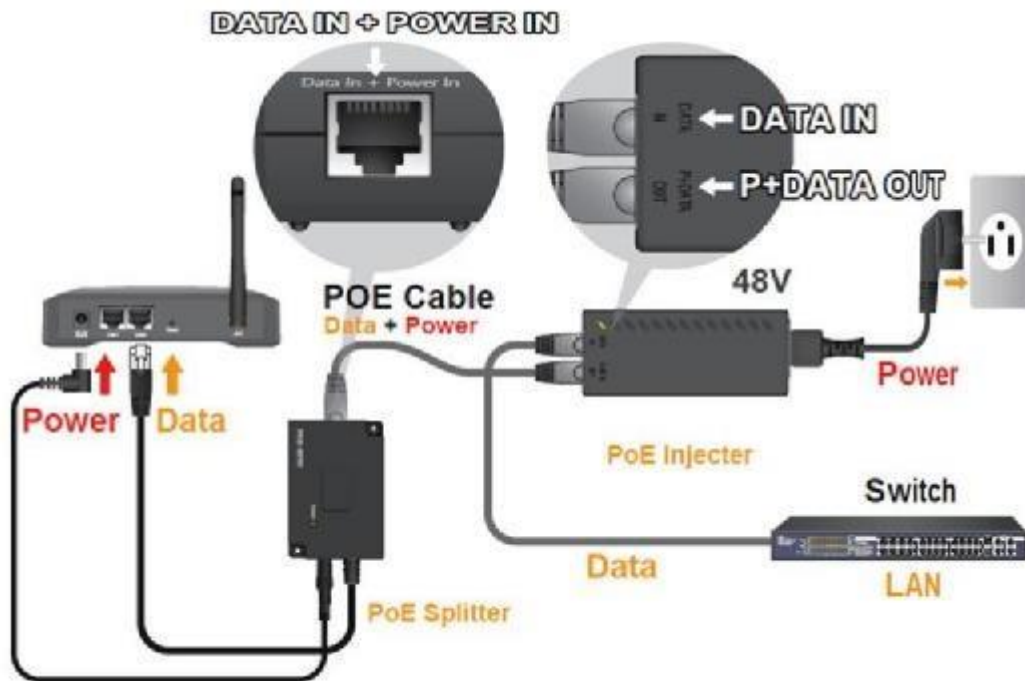
- Full IEEE 802.3af Compliant
- Up to 15.4W of Power on 2-pairs
- Auto-detect of PoE IEEE 802.3af equipment
- Supports 10/100/1000 Base-T applications
- LED indicators power input indication
- Distance up to 100 meters
- Internal AC/DC converter – no need for external power brick
- Easy plug-and-play installation
- Surge protection
- EMI standards complies with FCC, CE class B

Introduction

The ALP-I015 is a single port Mid-spans offer a compact and cost effective, fully IEEE 802.3af compliant solution for remote powering of wireless LAN (WAN) access points, IP Security cameras, VoIP telephone and other low port density installations. The ALP-I015 PoE Mid-spans eliminate the need for external power supply and its associated AC/DC power cabling, providing a compact, affordable, safe and reliable power solution over existing Ethernet infrastructure.

Specifications	
No. of Ports	<ul style="list-style-type: none">• 1
Pass Through Data Rates	<ul style="list-style-type: none">• 10/100/1000 Mbps
Power over Ethernet Output	<ul style="list-style-type: none">• Pin Assignment and Polarity: 3/6 (V+), 1/2 (V-)<ul style="list-style-type: none">• Output Power Voltage: DC 52 V• User Port Power: 15.4 W (Max)
Input Power Requirements	<ul style="list-style-type: none">• AC 100 ~ 240V, 50 to 60 Hz, 0.2 A
Dimensions (L x W x H)	<ul style="list-style-type: none">• 150 x 65 x 38 mm
Weight	<ul style="list-style-type: none">• 0.5 kg
Indicators	<ul style="list-style-type: none">• System Indicator: AC Power• User Indicator: Channel Power
Connectors	<ul style="list-style-type: none">• Shielded RJ-45, EIA 568A and 568B
Reliability	<ul style="list-style-type: none">• MTBF: 100,000 hrs. @ 25 °C
Regulatory Compliance	<ul style="list-style-type: none">• IEEE 802.3af (PoE), RoHS Compliant, CE, FCC
Electromagnetic Emission & Immunity	<ul style="list-style-type: none">• FCC Part15, Class B
Environmental Conditions	
Operating Ambient Temperature	<ul style="list-style-type: none">• -10 ~ 45 °C
Operating Humidity	<ul style="list-style-type: none">• Maximum 80%, Non-condensing
Storage Temperature	<ul style="list-style-type: none">• -10 to 70 °C
Storage Humidity	<ul style="list-style-type: none">• Maximum 85%, Non-condensing

Application Diagram



Ordering Information

- ALP-I015, PoE Injector

For Sales Enquiries:
sales.sg@alstron.com.sg